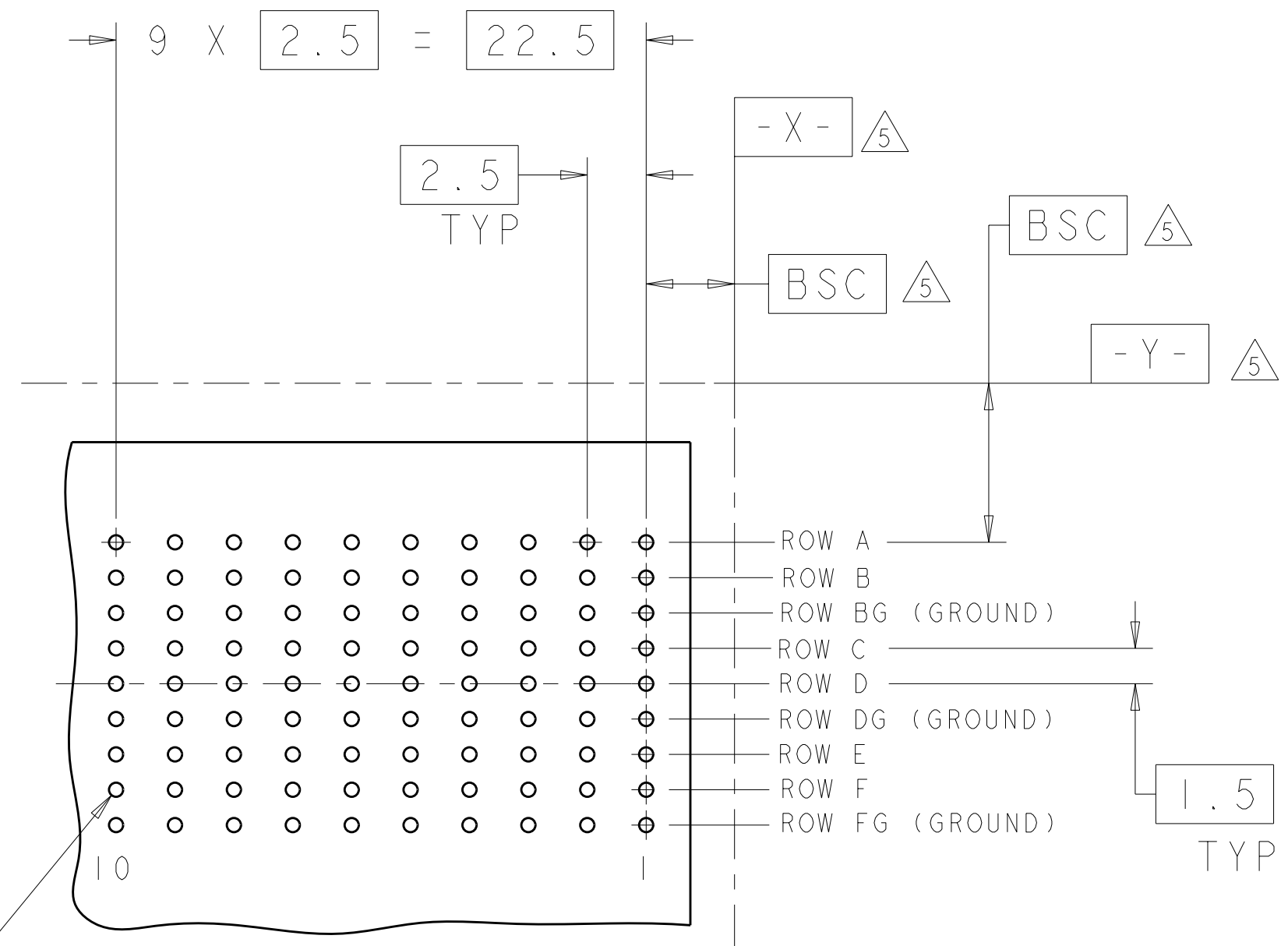
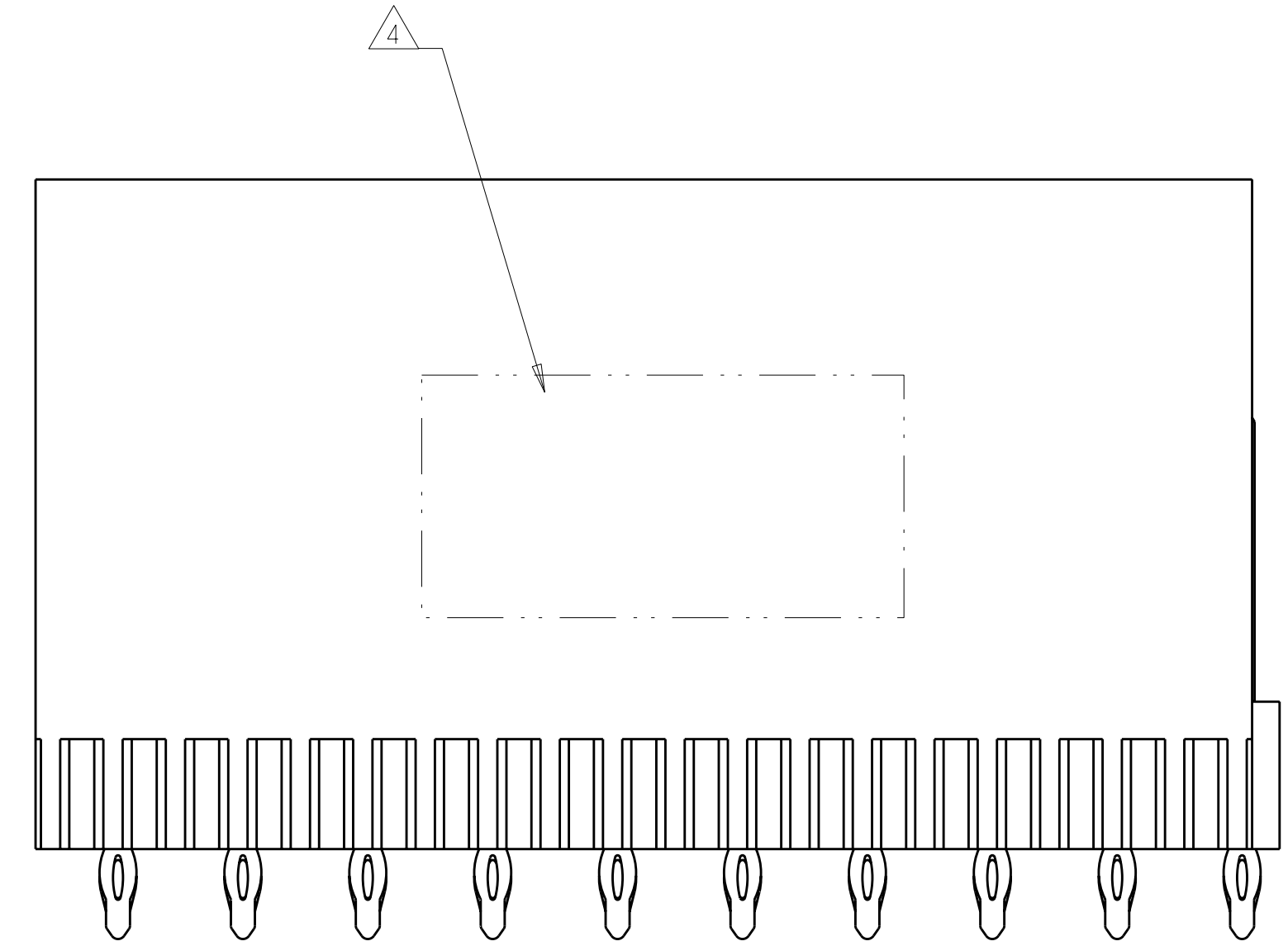
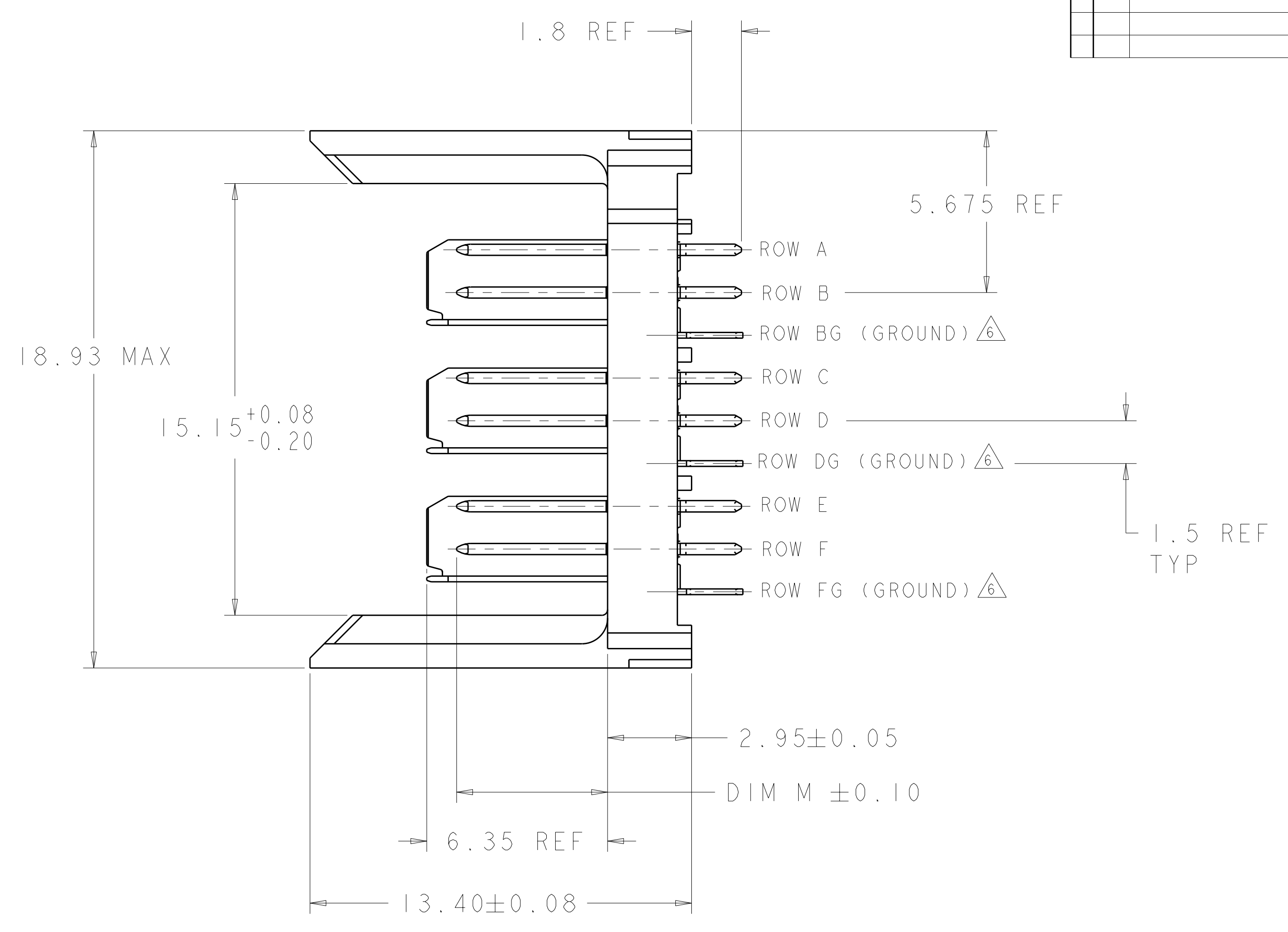
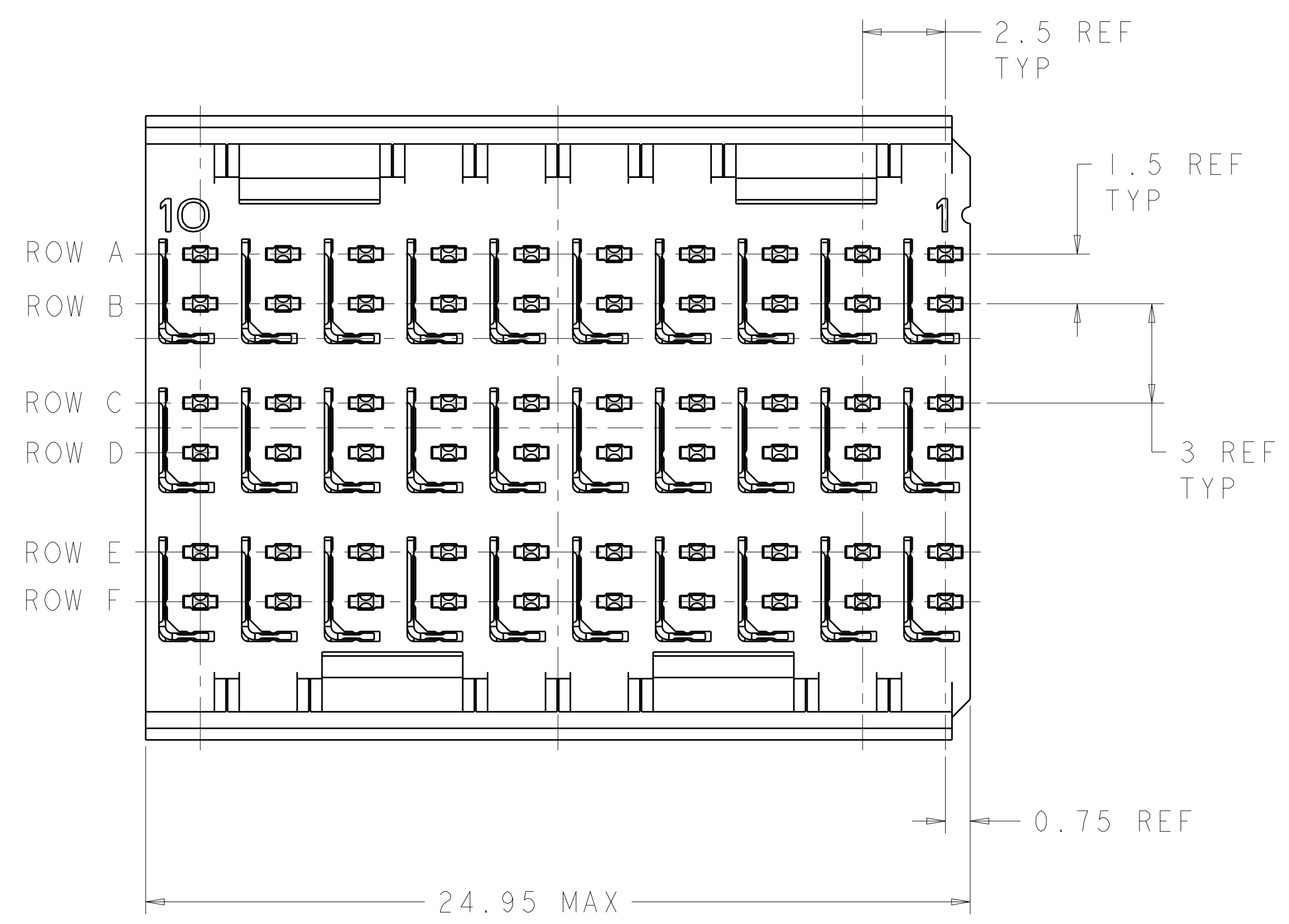


LOC		DIST		REVISIONS			
AD	00	REV	DATE	BY	CHK	APPD	
B		1	17JAN12	KH	DY		
		DESCRIPTION		DATE		DWN	
		REVISED PER ECO-12-000118		17JAN12		DY	



⊕ | Ø0.05 | X | Y
 ALL PLATED THRU HOLES

RECOMMENDED PC BOARD LAYOUT, BACKPLANE, COMPONENT SIDE SHOWN SCALE 4:1

- 1 REFERENCE APPLICATION SPEC 114-13059 FOR RECOMMENDED PLATED THRU HOLE DIAMETER AND PLATING THICKNESSES.
- 2 MATERIAL:
 CONTACT AND SHIELD - PHOSPHOR BRONZE
 HOUSING - GLASS FILLED POLYESTER, UL 94V-0.
- 3 FINISH: SIGNAL AND GROUND CONTACTS:
 MATING AREA: MEETS THE PERFORMANCE REQUIREMENTS OF PRODUCT SPECIFICATION 108-2055; BASED ON TELCORDIA GR-1217-CORE, APPLICATIONS IN UNCONTROLLED ENVIRONMENTS
 COMPLIANT PIN AREA: 0.5 µm MIN MATTE TIN OVER BASE PLATING
- 4 CONNECTOR MARKED WITH PART NUMBER AND DATE CODE.
- 5 DATUMS AND BASIC DIMENSIONS ESTABLISHED BY CUSTOMER.
- 6 THE THREE GROUNDS IN EACH COLUMN ARE COMMONED.
- 7. CONTACT AREA LUBRICATED WITH BELLCORE APPROVED LUBRICANT. TECHNICAL REFERENCE: GR-1217-CORE, ISSUE 1, NOVEMBER 1995.
- 8 OBSOLETE PARTS: OBSOLETE CIS STREAMLINING PER D.RENAUD/D.SINIS1

⊗	OBsolete	3.80	6469085-2
		5.30	6469085-1
		DIM M	PART NUMBER

THIS DRAWING IS A CONTROLLED DOCUMENT.		DWN	S. J. MAGARO	28JUN2004	TE Connectivity											
DIMENSIONS:		CHK	R. A. PATTERSON	28JUN2004												
mm	TOLERANCES UNLESS OTHERWISE SPECIFIED:	APVD	R. PATTERSON	17AUG2007	NAME											
<table border="1"> <tr><td>9 PLC</td><td>±</td></tr> <tr><td>3 PLC</td><td>±</td></tr> <tr><td>5 PLC</td><td>±</td></tr> <tr><td>4 PLC</td><td>±</td></tr> <tr><td>ANGLES</td><td>±</td></tr> </table>	9 PLC	±	3 PLC	±	5 PLC	±	4 PLC	±	ANGLES	±	<table border="1"> <tr><td>FINISH</td><td>±</td></tr> </table>	FINISH	±	PRODUCT SPEC	HEADER ASSEMBLY, 3 PAIR, 1.8mm TAIL, 25mm, HMZd	
9 PLC	±															
3 PLC	±															
5 PLC	±															
4 PLC	±															
ANGLES	±															
FINISH	±															
MATERIAL	FINISH	APPLICATION SPEC	SIZE	CAGE CODE	DRAWING NO	RESTRICTED TO										
		WEIGHT	A100779	C=6469085												
CUSTOMER DRAWING		SCALE	8:1	SHEET	1 OF 1	REV B										